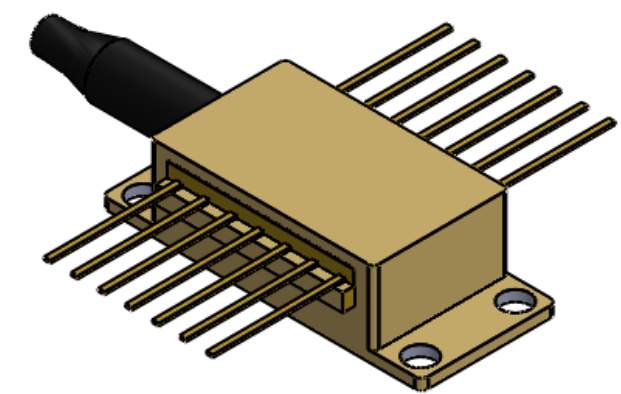
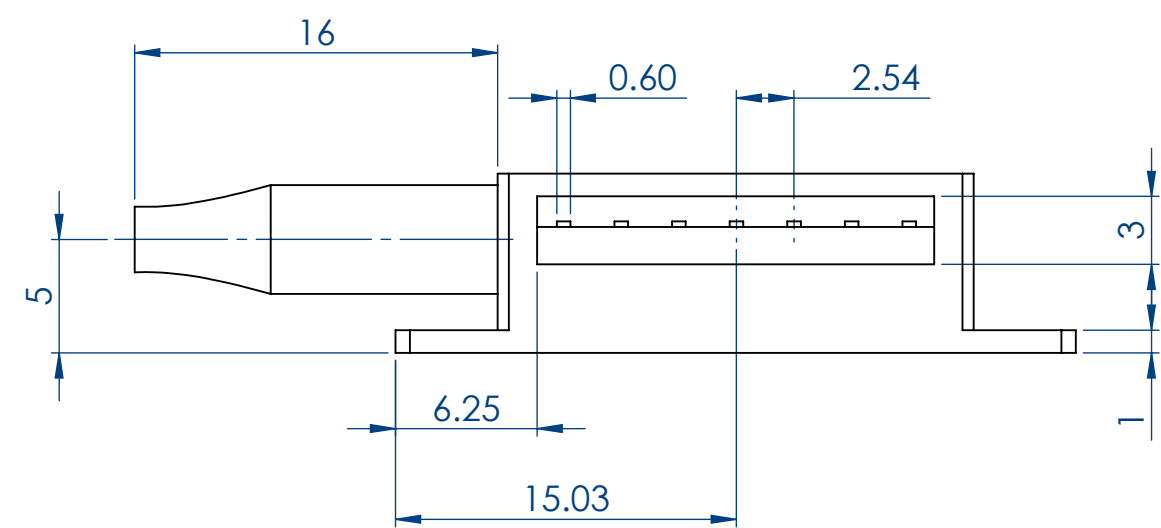
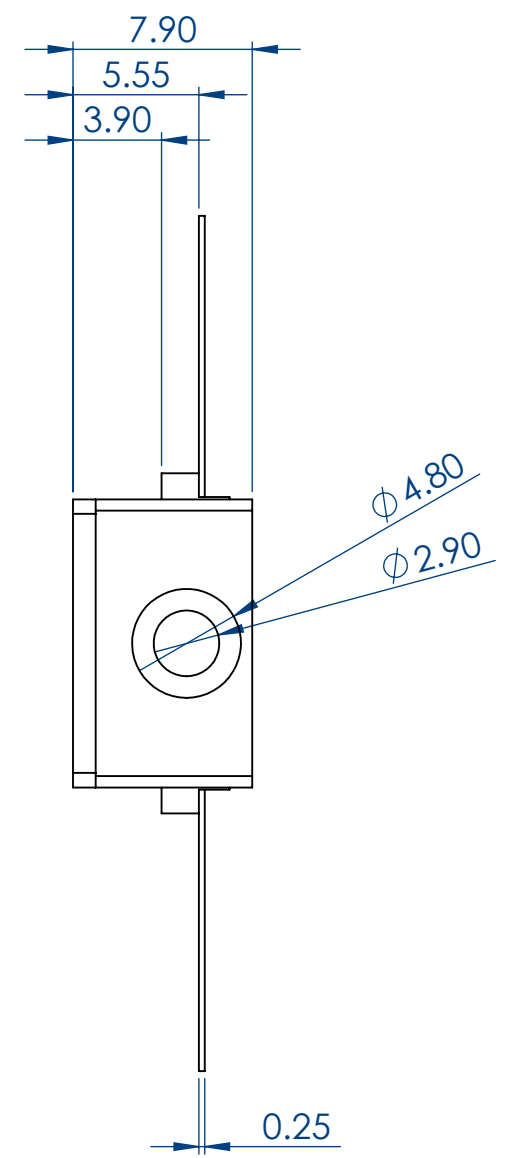


4 x Ø2.70 THRU



© Copyright Eblana Photonics Ltd., all rights reserved, Eblana reserve the right to alter specifications at anytime without notice.

PART No:	Bfly-DM-FP-01	
MATERIAL:	NA	
QUANTITY:	1 off	
DRAWN BY:	Gordon O'Brien	13/08/2016
CHECKED:	Lee Byas	15/08/2016
APPROVED:	Rob Lennox	15/08/2016
REVISION:		
APPROVED:		

EBLANA CUSTOM PARTS

14 Pin Butterfly  
DM/FP/DMH

FILE: 9015

DO NOT SCALE DRAWING

ALL DIMENSIONS ARE IN MILLIMETERS

ALL TOLERANCES ±0.1 UNLESS OTHERWISE NOTED

SHEET 1 OF 9